



Chuo Denshi Kogyo Co., Ltd.

KMR-EDD-0001

CKRF7512CK24

Evaluation board data

November 2015

Chuo Denshi Kogyo Co., LTD

Electronic Devices Division

Evaluation board test results

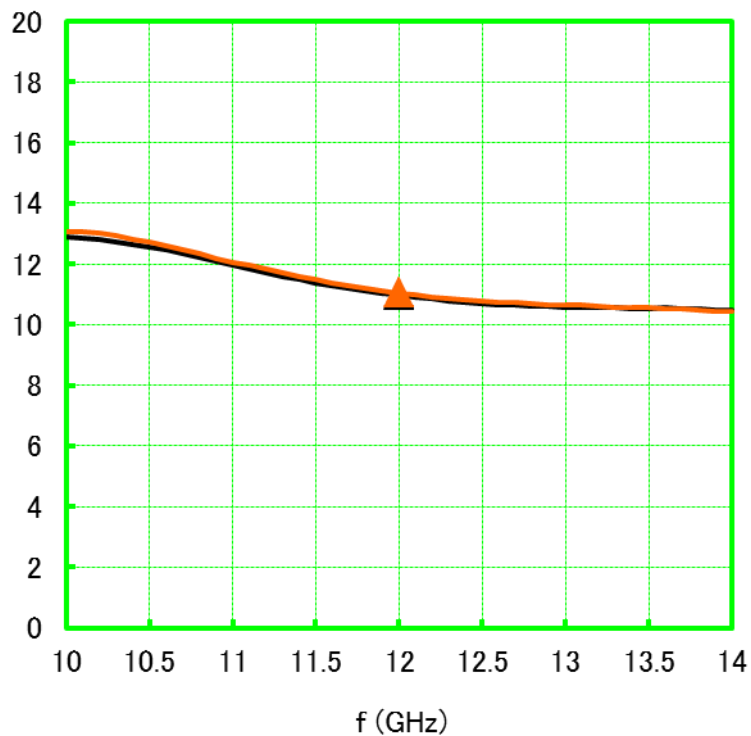
P/N : EB-CKRF7512CK24

Item	Symbol	Data	Unit	Condition
Noise Figure *	NF	0.37	dB	VDS=2V
Associated Gain *	Ga	11.60	dB	ID=10mA
Return Loss(in)	RL in	-5.96	dB	f=12GHz
Return Loss(out)	RL out	-17.31	dB	with metal shield
Noise Figure *	NF	0.45	dB	VDS=2V
Associated Gain *	Ga	11.60	dB	ID=10mA
Return Loss(in)	RL in	-6.15	dB	f=12GHz
Return Loss(out)	RL out	-18.15	dB	without metal shield

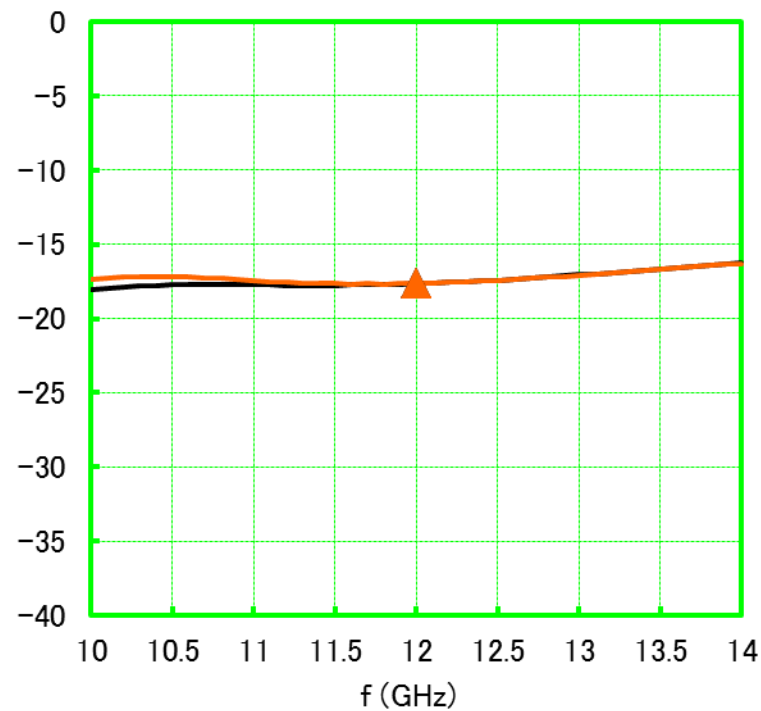
* The EB Through Loss is without in value of NF and Ga.
 (NF offset value=0.3dB,Ga offset value=0.6dB)

S-parameter (S21/S12)

S21

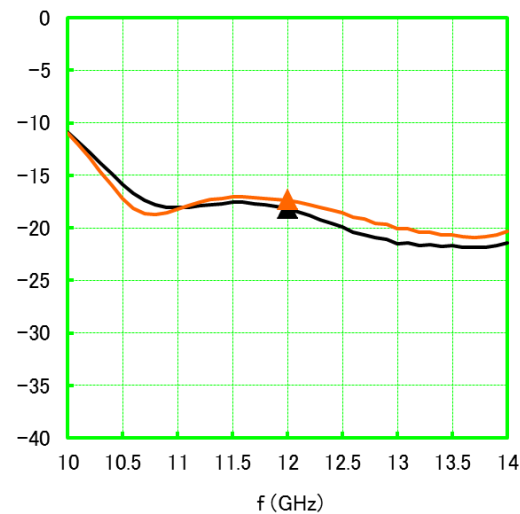
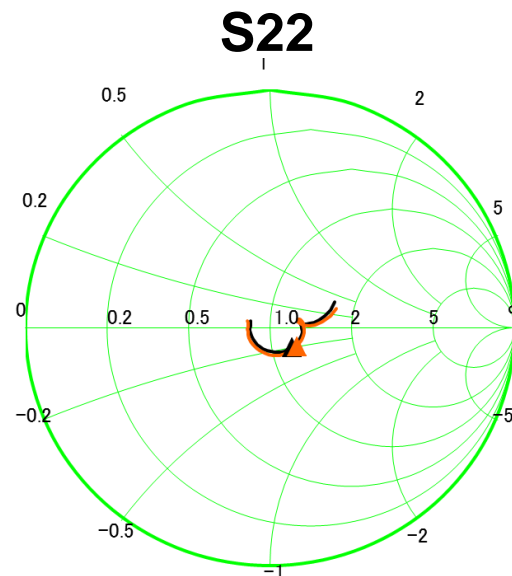
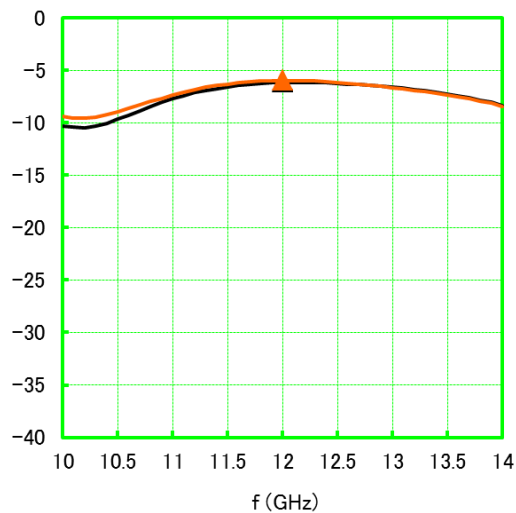
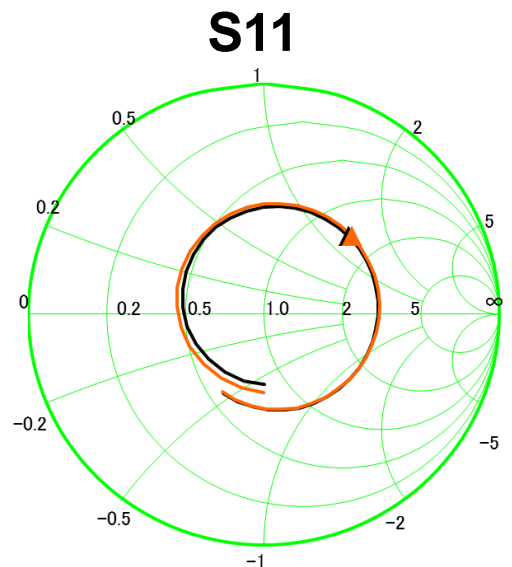


S12



Orange : with metal shield
Black : without metal shield

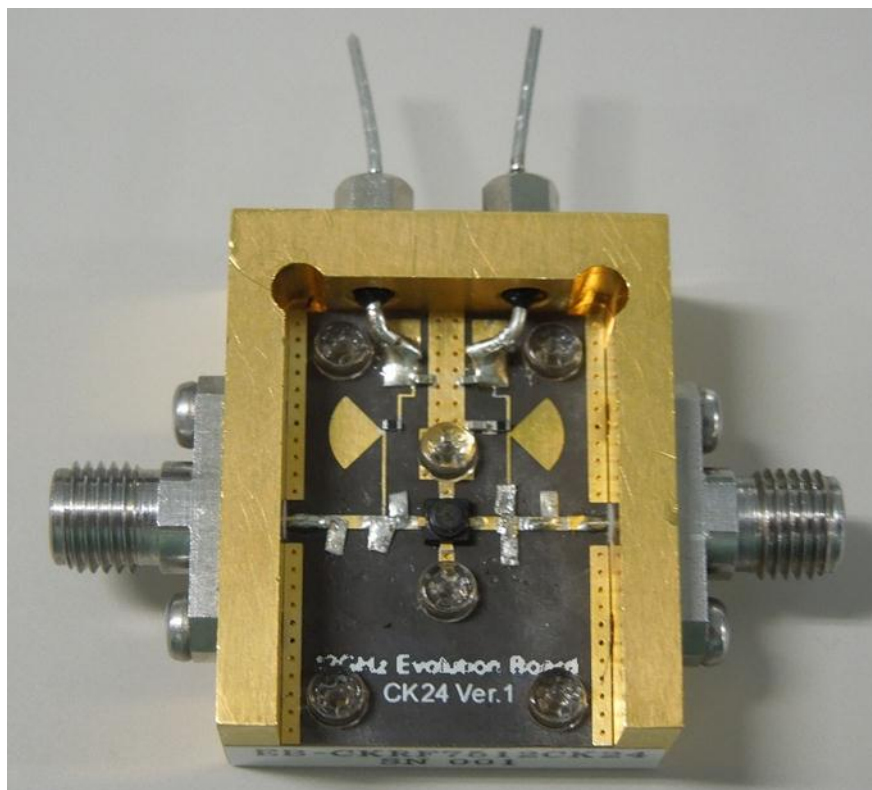
S-parameter (S11/S22)



Orange : with metal shield
Black : without metal shield

Appendix1 : Evaluation board photo

P/N : EB-CKRF7512CK24



<PCB>

RT/duroid 5880/ROGERS

t = 0.254 mm

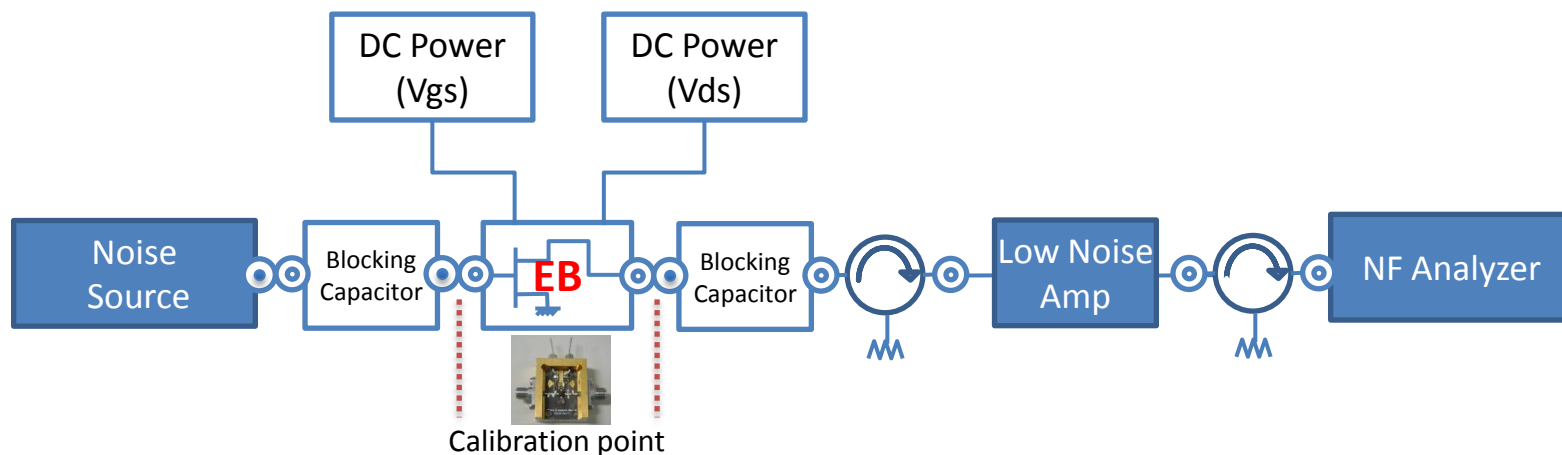
$\epsilon_r = 2.20$

tan delta = 0.0009 @ 10 GHz

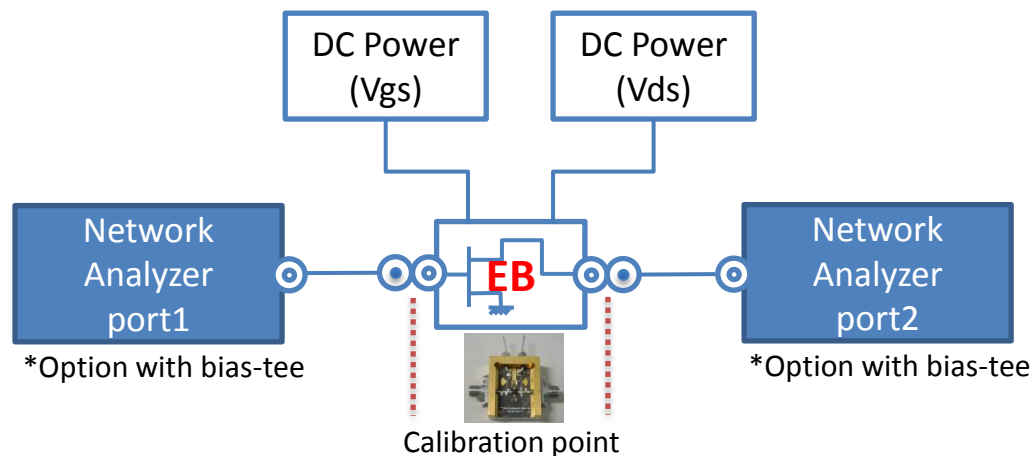
size : 18.0 × 25.0 mm

Appendix2 : Measurement block

Noise figure measurement block



S-parameter measurement block



CDK

Chuo Denshi Kogyo Co., Ltd.